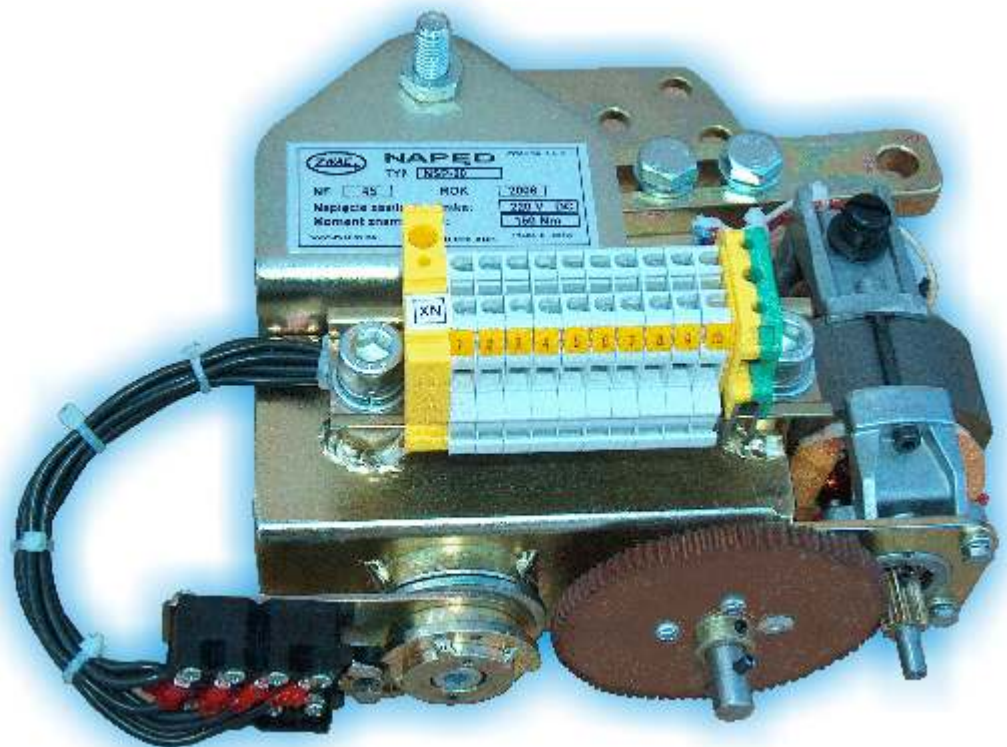
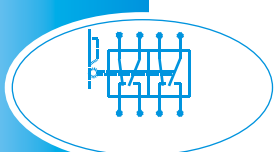
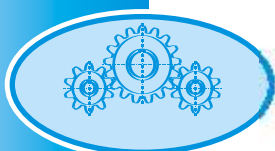
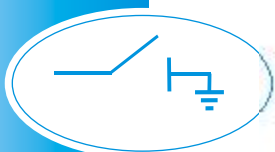
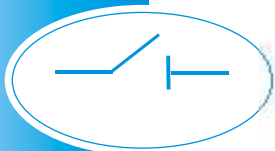
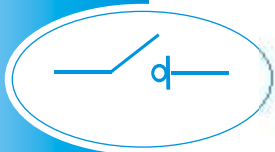
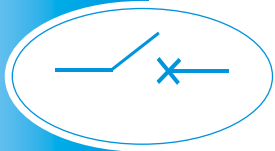




ISO 9001: 2000



NSP20

1.

NSP20

2.

NSP20; NRW04;

(2000
300);

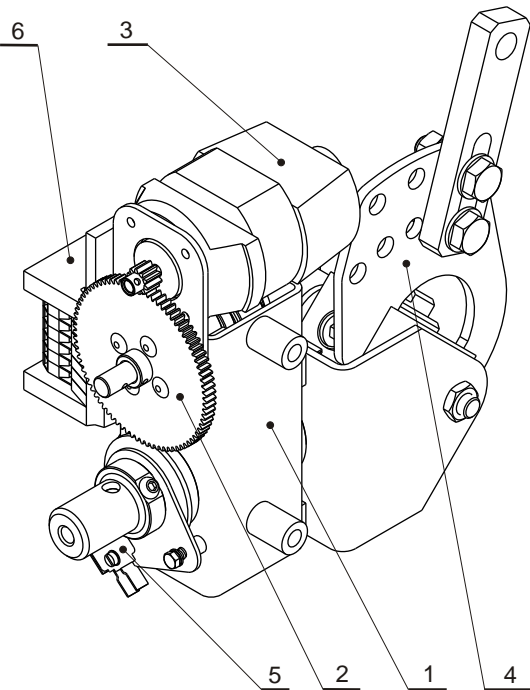
3.

NSP20

| | | |
|-------|---|------------------|
| NSP20 | 0 | 220 DC |
| | | : 220 DC, 230 AC |

4. NSP20.

-
-
-
-
-

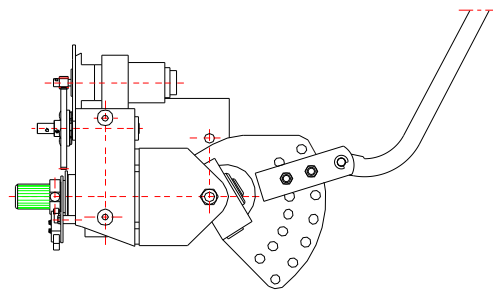
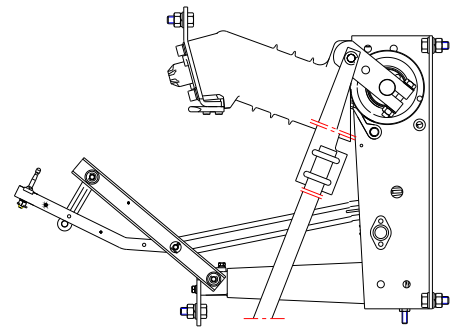


5.

| N | | |
|---|--------|-----------------|
| 1 | | 220 = 230 50 |
| 2 | | 100 |
| 3 | | 1,1 A/220 |
| 4 | - - | 200 300 |
| 5 | | 3 |
| 6 | | 4 ² |
| 7 | NSP20 | 8 |
| 8 | | 2000 |

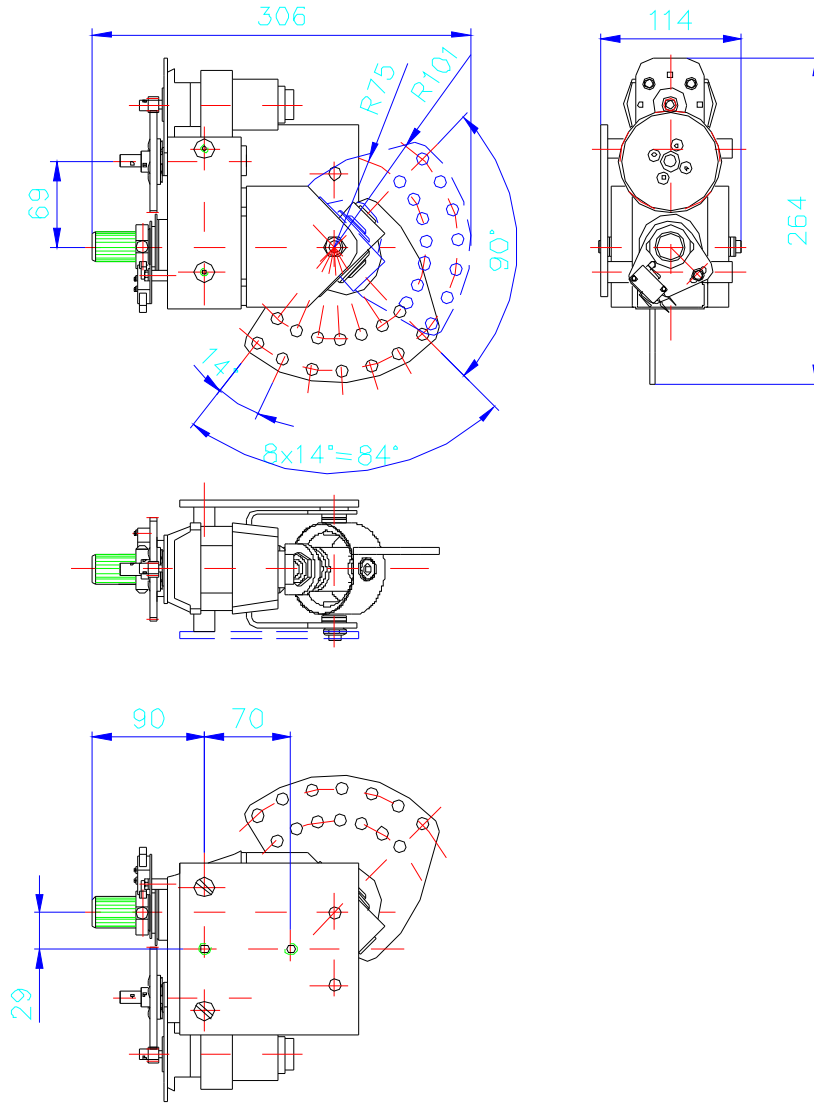
6.

NRW04, 1 3,

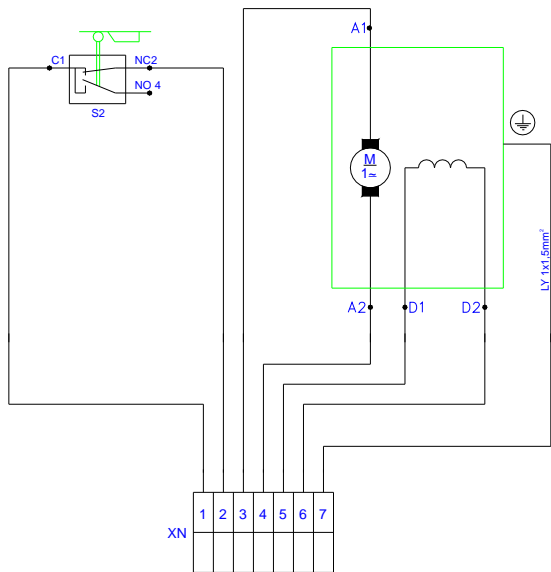


- [1]
- [2]
- [3]
- [4]
- [5]
- [6]

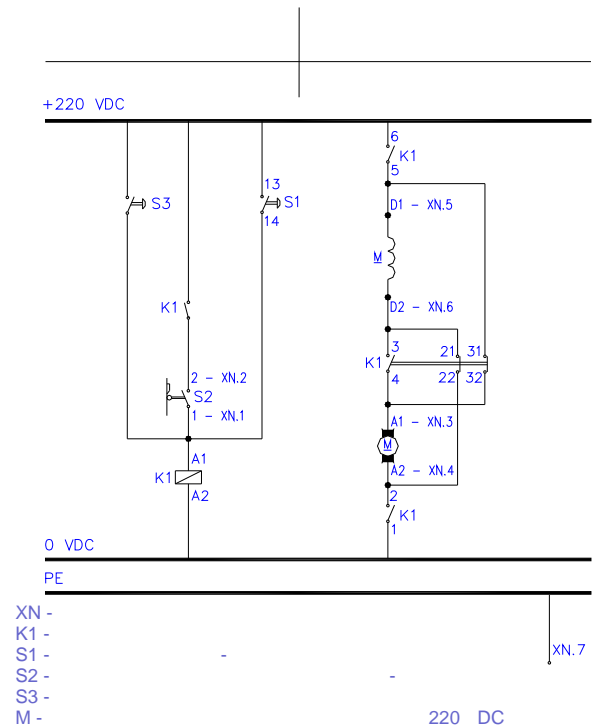
7.



8. S

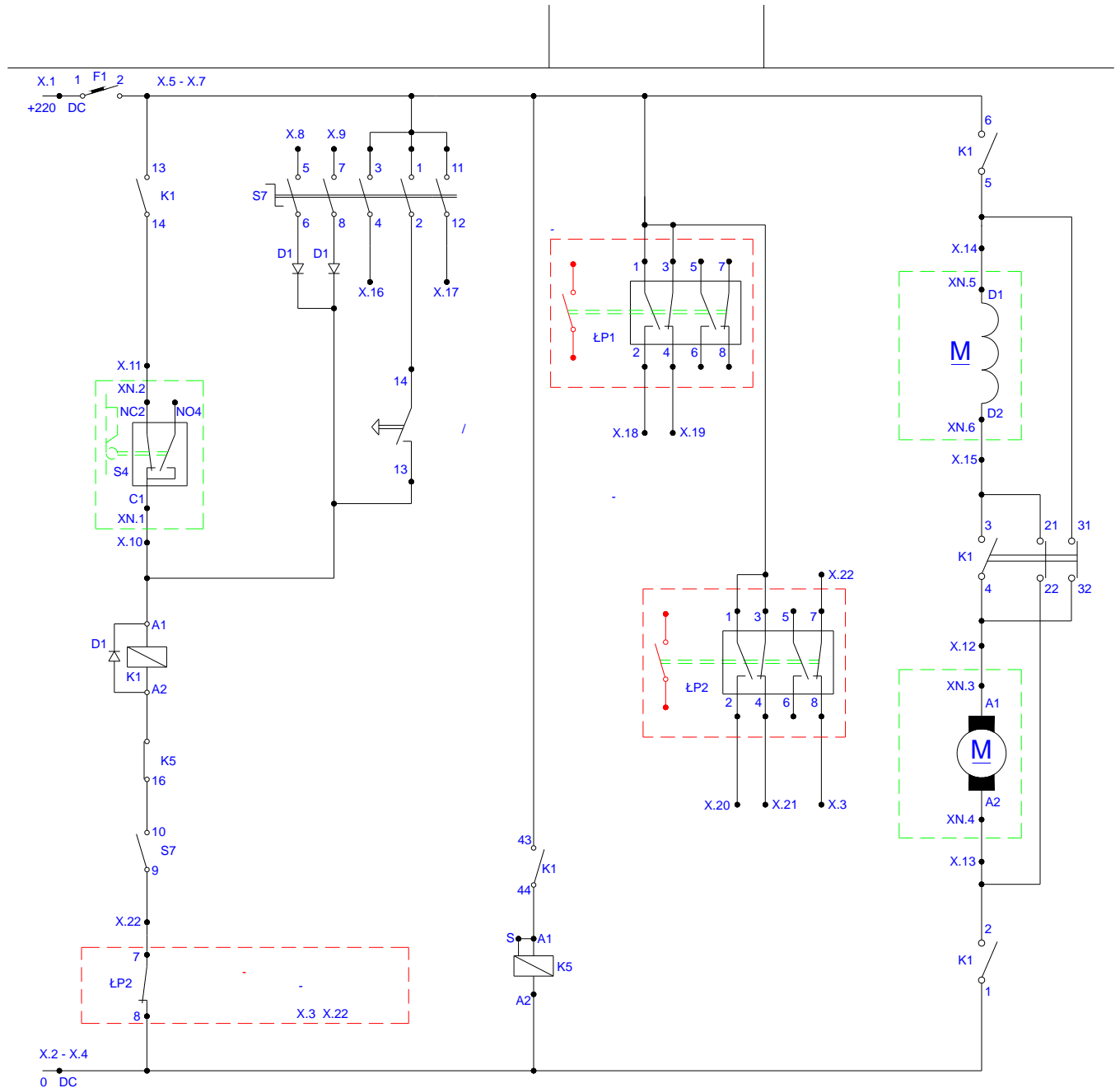


9.



S1 S3 min. 0,5

10. SCHEMAT IDEOWY SKRZYNIKI STEROWNICZEJ - OPCJA



X -

| | F1 - 1 | K1 - 1 | K5 - A2 | F1 - 2 | S7 - 1 | K1 - 53 | S7 - 5 | S7 - 7 | K1 - A1 | K1 - 54 | K1 - 4 | K1 - 2 | K1 - 5 | K1 - 3 | S7 - 4 | S7 - 12 | LP1 - 2 | LP1 - 4 | LP2 - 2 | LP2 - 4 | LP2 - 7 | PE |
|----|--------|--------|---------|--------|--------|---------|--------|--------|---------|---------|--------|--------|--------|--------|--------|---------|---------|---------|---------|---------|---------|----|
| 1 | • | • | • | • | • | • | | | | | | | | | | | | | | | | |
| 2 | | | | | | | | | | | | | | | | | | | | | | |
| 3 | | | | | | | | | | | | | | | | | | | | | | |
| 4 | | | | | | | | | | | | | | | | | | | | | | |
| 5 | | | | | | | | | | | | | | | | | | | | | | |
| 6 | | | | | | | | | | | | | | | | | | | | | | |
| 7 | | | | | | | | | | | | | | | | | | | | | | |
| 8 | | | | | | | | | | | | | | | | | | | | | | |
| 9 | | | | | | | | | | | | | | | | | | | | | | |
| 10 | | | | | | | | | | | | | | | | | | | | | | |
| 11 | | | | | | | | | | | | | | | | | | | | | | |
| 12 | | | | | | | | | | | | | | | | | | | | | | |
| 13 | | | | | | | | | | | | | | | | | | | | | | |
| 14 | | | | | | | | | | | | | | | | | | | | | | |
| 15 | | | | | | | | | | | | | | | | | | | | | | |
| 16 | | | | | | | | | | | | | | | | | | | | | | |
| 17 | | | | | | | | | | | | | | | | | | | | | | |
| 18 | | | | | | | | | | | | | | | | | | | | | | |
| 19 | | | | | | | | | | | | | | | | | | | | | | |
| 20 | | | | | | | | | | | | | | | | | | | | | | |
| 21 | | | | | | | | | | | | | | | | | | | | | | |
| 22 | | | | | | | | | | | | | | | | | | | | | | |
| PE | | | | | | | | | | | | | | | | | | | | | | |

| S7 - | (|) | 1 - 2 | 3 - 4 | 5 - 6 | 7 - 8 | 9 - 10 | 11 - 12 |
|------|---|---|-------|-------|-------|-------|--------|---------|
| 1 | | | | | | | | |
| 2 | | | | | | | | |
| 3 | | | | | | | | |

- S1 - / ()
- S2 -
- S7 - (/ 1-10)
- () 4G10-2764-U
- K1 - / K1-09D00-40 220 VDC + HKM22
- K5 -
- F1 - 2
- LP1 -
- LP2 -
- D1 - 1N4007
- XN -